



Lab Ovens

Digital Lab Series Ovens
from Quincy Lab, Inc.



FEATURING

- Digital Microprocessor Control
- Air Forced Gravity Convection
- Durable Double-wall Construction
- Scratch-resistant Hammer Finish
- Corrosion-resistant Aluminized Interior
- Full 18-month Factory Warranty
- Proven Reliability

Advanced Design

Cabinets are as attractive as they are durable. Exteriors are painted light gray and have a hard, scratch-resistant hammer finish. Doors open with high-impact thermoplastic handles. Cabinets have heavy steel double-wall construction. Work space is insulated from the outer cabinet with one inch of high-density mineral wool, and interiors are made of corrosion-resistant aluminized steel.

Controls

The digital control combines the features of the analog model but offers the ease of temperature setting and the stability of a full PID microprocessor that accurately maintains settings within +/- 0.5°C (1°F), even in varying ambient or power supply

conditions. This feature helps to confirm stability or indicate any control malfunction or power loss throughout a process period. The digital controller features large LED's that continuously display set temperature and process temperature, as well as a setting lock mode that provides protection against accidental or inadvertent adjustment.

Heating Elements

Energy-efficient, low-watt density, incoloy sheathed elements are engineered into a compact design for quick run-up and recovery times. Temperature uniformity is greatly improved by a perforated heat shield which absorbs radiant heat and distributes it more evenly throughout the product chamber.

GCE and AFE Models

Quincy Lab uses only quality UL and CSA recognized components in all ovens. The 'GCE' series gravity convection ovens are designed to meet the laboratory needs of industry, research organizations, and schools. Well-crafted and versatile, they are used for part drying, baking, curing, sterilizing, evaporating, heat treating, annealing, and testing. The 'AFE' models offer forced-air circulation allowing for uniform distribution of heat throughout the chamber, which also facilitates dehydration and evaporating. The GCE and AFE series ovens have temperature ranges of: ambient +25°F minimum, to 450°F/232°C maximum, and are competitively priced and offer exceptional value and reliability.

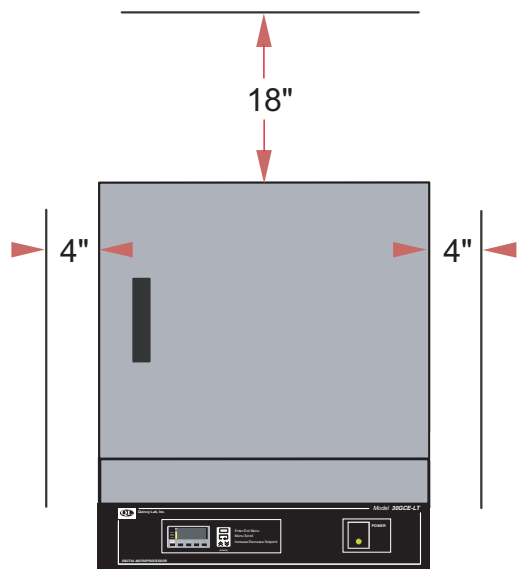
Quincy Lab, Inc. has been a mainline manufacturer of laboratory ovens and incubators for more than 40 years. We are dedicated to product value, customer satisfaction, and ongoing product support.



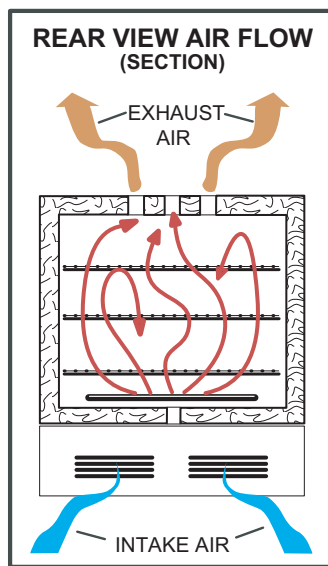
GENERAL SPECIFICATIONS	MODEL 10GCE	MODEL 20GCE	MODEL 30GCE	MODEL 40GCE	MODEL 10AFE	MODEL 20AFE	MODEL 30AFE	MODEL 40AFE
INTERIOR DIMENSIONS								
INCHES W x H x D	12x10x10	13x13x13	18x15.6x12	18x21.8x14	12x8.25x10	13x11x13	18x14.2x12	18x19.8x14
(CM) W x H x D	30.5x25.4x25.4	33x33x33	45.7x39.6x30.5	45.7x55.4x35.6	30.5x21x25.4	33x28x33	45.7x36x30.5	45.7x50.3x35.6
EXTERIOR DIMENSIONS								
INCHES W x H x D	14x17.5x12.3	15x21.5x15.3	20x25.5x14.3	20x31.5x16.3	14x20.5x12.3	15x25x15.3	20x29x14.3	20x35x16.3
(CM) W x H x D	35.6x44.5x31.2	38x54.6x38.9	50.8x64.8x36.2	50.8x80x41.4	35.6x52x31.2	38x63.5x38.9	50.8x73.7x36.2	50.8x89x41.4
CAPACITY								
CUBIC FEET	0.7	1.27	2.0	3.0	0.6	1.14	1.83	2.86
(LITERS)	19.8	36	56.6	85	17	32.3	51.8	81
TEMPERATURE RANGE								
AMBIENT +25F TO F / C	450/232	450/232	450/232	450/232	450/232	450/232	450/232	450/232
SHELVES (1" CENTERS)								
MAXIMUM PER UNIT	10	13	16	22	8	11	14	20
MAXIMUM POUNDS / SHELF	35	35	35	35	35	35	35	35
ELECTRICAL*								
VOLTS/AMPS	115 / 5.2	115 / 6.3	115 / 10.5	115 / 12.5	115 / 6.6	115 / 8.8	115 / 12.5	115 / 12.5
WATTS	600	750	1200	1500	800	1050	1500	1500
PLUG/NEMA	5-15P	5-15P	5-15P	5-15P	5-15P	5-15P	5-15P	5-15P
WEIGHT								
SHIPPING	42.6	57	76.2	91.5	50.4	65.7	84.2	98.5
STAND ALONE	31.4	43.5	57.2	72.5	37.2	58.7	64.2	80.8

* Standard models voltage only, 230 voltage available.

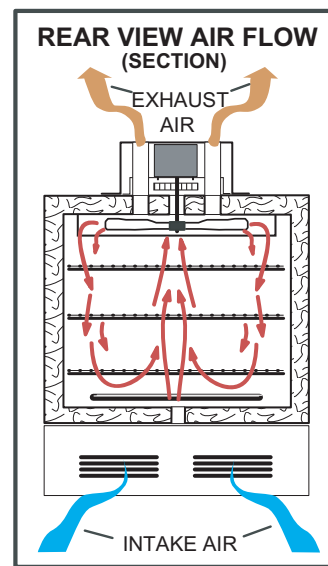
MINIMUM CLEARANCES



'GCE' MODEL AIR FLOW



'AFE' MODEL AIR FLOW



**PERFORMANCE CHARACTERISTICS	MODEL 10GCE	MODEL 20GCE	MODEL 30GCE	MODEL 40GCE	MODEL 10AFE	MODEL 20AFE	MODEL 30AFE	MODEL 40AFE
CONTROL STABILITY								
Typically +/- C/F	0.5° / 1.0°	0.5° / 1.0°	0.5° / 1.0°	0.5° / 1.0°	0.5° / 1.0°	0.5° / 1.0°	0.5° / 1.0°	0.5° / 1.0°
TIME TO TEMPERATURE								
AMBIENT TO MAX	43 Min.	52 Min.	37 Min.	42 Min.	43 Min.	44 Min.	38 Min.	48 Min.
RECOVERY @300° F								
DOOR OPEN 15 SEC.	9 Min.	11 Min.	10 Min.	10 Min.	10 Min.	10 Min.	11 Min.	13 Min.
DOOR OPEN 30 SEC.	13 Min.	14 Min.	11 Min.	14 Min.	14 Min.	11 Min.	12 Min.	14 Min.

** PERFORMANCE CHARACTERISTICS FOR STANDARD VOLTAGE MODELS, ALTERNATE VOLTAGE MODELS MAY VARY. ALL TESTS CONDUCTED UNDER CONTROLLED LABORATORY CONDITIONS AND MAY VARY.

